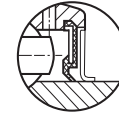
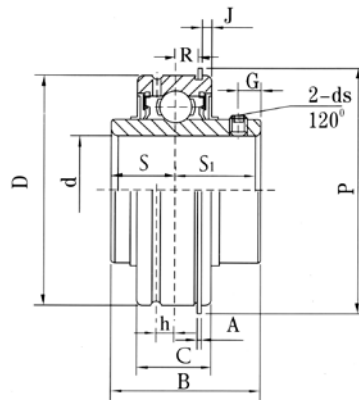


Set Screw Locking • Wide Inner Ring • Cylindrical OD • Regreasable • Snap Ring



Standard B Type Seal

Bearing No.	Bore Diameter d		Dimensions (in./mm)											Load Ratings lbs		Weight lbs				
	in.	mm	D	B	C	S	S1	h	P	R	J	A	G	ds	Dynamic Cr		Static Cor			
SER201-08	1/2	15																		
SER202	5/8	15	1.8504	1.2205	0.6300	0.5000	0.7206	0.1575	2.0748	0.1783	0.0945	0.0421	0.1969	1/4-28UNF	2886	1495	.60			
SER202-10	5/8	17	47	31	16	12.7	18.3	4	52.7	4.53	2.4	1.07	5	M6x0.75			.55			
SER203	3/4	17																	.53	
SER204-12	3/4	20																	.51	
SER204	3/4	20																.49		
SER205-14	7/8	25																.44		
SER205-15	15/16	25	2.0472	1.3425	0.7480	0.5630	0.7795	0.1693	2.2795	0.2374	0.0945	0.0421	0.1969	1/4-28UNF	3152	1771	.51			
SER205	1	25	52	34.1	19	14.3	19.8	4.3	57.9	6.03	2.4	1.07	5	M6x0.75			.49			
SER205-16	1	25																	.46	
SER205-16	1	25																	.44	
SER205-16BO*	1	25	2.0472	1.3740	0.7480	0.5157	0.8583	0.1772	2.2657	0.2374	0.0945	0.0421	0.2165	1/4-28UNF	3152	1771	.47			
SER205-16BO*	1	25	52	34.9	19	13.1	21.8	4.5	57.55	6.03	2.4	1.07	5.5	M6x0.75						
SER206-17	1 1/16	30																.84		
SER206-18	1 1/8	30	2.4409	1.5000	0.8661	0.6260	0.8740	0.2165	2.6654	0.2421	0.1260	0.0650	0.1969	1/4-28UNF	4375	2542	.82			
SER206	1 3/16	30	62	38.1	22	15.9	22.2	5.5	67.7	6.15	3.2	1.65	5	M6x0.75			.77			
SER206-19	1 3/8	30																	.77	
SER206-20	1 1/4	30																	.77	
SER207-20	1 1/4	35																1.23		
SER207-21	1 5/16	35	2.8346	1.6890	0.9449	0.6890	1.0000	0.2362	3.0906	0.2815	0.1260	0.0650	0.2362	5/16-24UNF	5771	3439	1.19			
SER207-22	1 3/8	35	72	42.9	24	17.5	25.4	6	78.4	7.15	3.2	1.65	6	M8x1			1.15			
SER207	1 7/16	35																	1.12	
SER207-23	1 7/16	35																	1.06	
SER208-24	1 1/2	40																1.59		
SER208-25	1 9/16	40	3.1496	1.9370	1.1024	0.7480	1.1890	0.2953	3.4094	0.3602	0.1260	0.0650	0.3150	5/16-24UNF	6636	4078	1.50			
SER208	1 9/16	40	80	49.2	28	19	30.2	7.5	86.6	9.15	3.2	1.65	8	M8x1			1.59			
SER209-26	1 5/8	45																		1.98
SER209-27	1 11/16	45	3.3465	1.9370	1.1024	0.7480	1.1890	0.2953	3.6063	0.3602	0.1260	0.0650	0.3150	5/16-24UNF			7119	4649	1.76	
SER209-28	1 3/4	45	85	49.2	28	19	30.2	7.5	91.6	9.15	3.2	1.65	8	M8x1	1.81					
SER209	1 3/4	45																	1.79	
SER210-30	1 7/8	50																		2.03
SER210-31	1 9/16	50	3.5433	2.0315	1.1024	0.7480	1.2835	0.2953	3.7992	0.3303	0.1260	0.0949	0.3543	3/8-24UNF	7884	5211	1.92			
SER210	2	50	90	51.6	28	19	32.6	7.5	96.5	8.39	3.2	2.41	9	M10x1.25			1.90			
SER210-32	2	50																	1.87	
SER211-32	2	55																		2.82
SER211-34	2 1/8	55	3.9370	2.1890	1.1811	0.8740	1.3150	0.3150	4.1929	0.3697	0.1260	0.949	0.3543	3/8-24UNF	9752	6569	2.60			
SER211	2 1/4	55	100	55.6	30	22.2	33.4	8	106.5	9.39	3.2	2.41	9	M10x1.25			2.54			
SER211-35	2 3/16	55																	2.47	
SER212-36	2 1/4	60																		3.75
SER212	2 3/8	60	4.3307	2.5630	1.2598	1.0000	1.5630	0.3346	4.5906	0.4091	0.1260	0.0949	0.3937	3/8-24UNF	10736	7403	3.48			
SER212-38	2 3/8	60	110	65.1	32	25.4	39.7	8.5	116.6	10.39	3.2	2.41	10	M10x1.25			3.44			
SER212-39	2 7/16	60																	3.26	
SER215	2 15/16	75																		
SER215-47	3	75	5.1181	3.0630	1.4961	1.3110	1.7520	0.4016	5.5000	0.4815	0.1575	0.1091	0.4724	7/16-20UNF	14862	11128	6.31			
SER215-48	3	75	130	77.8	38	33.3	44.5	10.2	139.7	12.23	4	2.77	12	M12x1.5						

*Bearing has Black Oxide Finish
All sizes furnished with Snap Ring