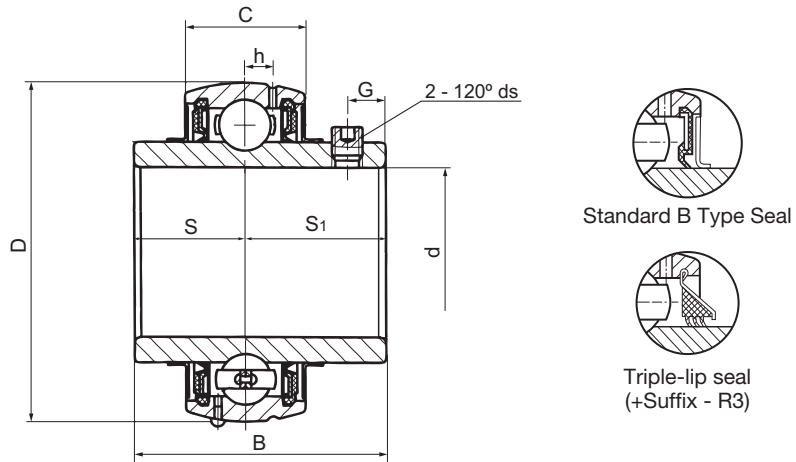


Set Screw Locking • Wide Inner Ring • Spherical OD • Regreasable



Bearing No.	Bore Diameter d		Dimensions (in./mm)								Load Ratings lbs		Weight lbs
	in.	mm	D	B	C	S	S1	h	G	ds	Dynamic Cr	Static Cor	
UCX05 UCX05-16	1	25	2.4409 62	1.5000 38.1	0.7480 19	0.6260 15.9	0.8740 22.2	0.1969 5.0	0.1969 5.0	1/4-28UNF M6x0.75	4375	2542	0.77 0.75
UCX06 UCX06-19 UC207-20*	1 1/16 1 1/4	30	2.8346 72	1.6890 42.9	0.7874 20	0.6890 17.5	1.0000 25.4	0.2244 5.7	0.2362 6.0	5/16-24UNF M8x1.0	5771	3439	1.19 1.19 1.17
UCX07-22 UCX07 UCX07-23	1 3/8 1 7/16	35	3.1496 80	1.9370 49.2	0.8268 21	0.7480 19.0	1.1890 30.2	0.2480 6.3	.3150 8.0	5/16-24UNF M8x1.0	6636	4078	1.54 1.54 1.48
UCX08-24 UCX08	1 1/2	40	3.3465 85	1.9370 49.2	0.8661 22	0.7480 19.0	1.1890 30.2	0.2480 6.3	.3150 8.0	5/16-24UNF M8x1.0	7120	4650	2.03 1.94
UCX09-27 UCX09-28 UCX09	1 11/16 1 3/4	45	3.5433 90	2.0315 51.6	0.9449 24	0.7480 19.0	1.2835 32.6	0.2598 6.6	0.3937 10	3/8-24UNF M10x1.25	7884	5210	2.40 2.31 2.27
UCX10-31 UCX10 UC211-32*	1 15/16 2	50	3.9370 100	2.1890 55.6	0.9842 25	0.8740 22.2	1.3150 33.4	0.2756 7.0	0.3937 10	3/8-24UNF M10x1.25	9752	6569	2.89 2.82 2.80
UCX11 UCX11-35 UC212-36*	2 3/16 2 1/4	55	4.3307 110	2.5630 65.1	1.0630 27	1.0000 25.4	1.5630 39.7	0.2992 7.6	0.3937 10	3/8-24UNF M10x1.25	10736	7403	3.81 3.75 3.68
UCX12 UCX12-39	2 7/16	60	4.7244 120	2.5630 65.1	1.1024 28	1.0000 25.4	1.5630 39.7	0.3504 8.9	0.3937 10	3/8-24UNF M10x1.25	12860	8992	4.12 3.92
UCX13-40 UCX13	2 1/2	65	4.9213 125	2.9370 74.6	1.1811 30	1.1890 30.2	1.7480 44.4	0.3504 8.9	0.4724 12	7/16-20UNF M12x1.5	13675	10123	5.11 4.92
UCX14-43 UCX14	2 11/16	70	5.1181 130	3.0630 77.8	1.2598 32	1.3110 33.3	1.7520 44.5	0.3622 9.2	0.4724 12	7/16-20UNF M12x1.5	14862	11128	5.51 5.27
UCX15-47 UCX15 UCX15-48	2 15/16 3	75	5.5118 140	3.2520 82.6	1.2992 33	1.3110 33.3	1.9409 49.3	0.3780 9.6	0.5512 14	7/16-20UNF M12x1.5	16298	11914	7.41 7.34 7.12
UCX17 UCX17-55 UCX17-56	3 7/16 3 1/2	85	6.2992 160	3.7795 96.0	1.4567 37	1.5630 39.7	2.2165 56.3	0.4409 11.2	0.5906 15	1/2-20UNF M12x1.5	21581	16073	10.52 10.10 10.19
UCX20 UCX20-63 UCX20-64	3 15/16 4	100	7.4803 190	4.6260 117.5	1.7323 44	1.9370 49.2	2.6890 68.3	0.5394 13.7	0.6299 16	1/2-20UNF M12x1.5	29898	23604	18.90 18.60 18.40

*Standard duty inserts listed identical to Medium Duty dimensions