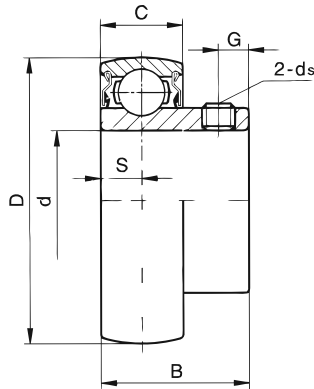
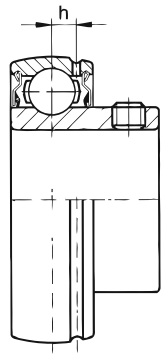


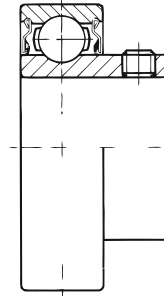
Set Screw Locking • Narrow Inner Ring



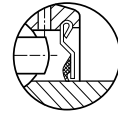
SB2
Spherical OD



SB2G
Spherical OD



CSB2
Cylindrical OD



K Type Seal

Bearing No.	Bore Diameter d		Dimensions (in./mm)							Load Ratings lbs		Weight lbs							
	in.	mm	D	B	C	S	h	G	ds	Dynamic Cr	Static Cor								
SB201-08	1/2	15	1.5748	0.8661	0.4724	0.2362	0.1378	0.1772	10-32UNF	2151	1056	.22							
SB202	5/8	17	40	22	12	6	3.5	4.5	M5X0.8			.20							
SB202-10												.20							
SB203												.18							
SB204-12	3/4	20	1.8504	0.9842	0.5512	0.2756	0.1575	0.1772	1/4-28UNF	2886	1650	.29							
SB204			47	25	14	7	4	4.5	M6X0.75			.27							
SB205-14	7/8	25	2.0472	1.0630	0.5906	0.2953	0.1654	0.1969	1/4-28UNF	3150	1771	.40							
SB205-15	15/16											52	27	15	7.5	4.2	5	M6X0.75	.37
SB205																			.37
SB205-16	1											.35							
SB206-17	1 1/16	30	2.4409	1.1811	0.6299	0.3150	0.1969	0.2165	1/4-28UNF	4375	2542	.62							
SB206-18	1 1/8											62	30	16	8	5	5.5	M6X0.75	.57
SB206																			.55
SB206-19	1 3/16											.55							
SB206-20	1 1/4											.51							
SB207-20	1 1/4	35	2.8346	1.2598	0.6693	0.3346	0.2244	0.2362	5/16-24UNF	5770	3440	.90							
SB207-21	1 5/16											72	32	17	8.5	5.7	6	M8X1	.86
SB207-22	1 3/8																		.82
SB207												.82							
SB207-23	1 7/16											.77							
SB208-24	1 1/2	40	3.1496	1.3386	0.7087	0.3543	0.2362	0.3150	5/16-24UNF	6636	4078	1.06							
SB208-25	1 9/16											80	34	18	9	6	8	M8X1	0.99
SB208																			0.99
SB209-27	1 11/16	45	3.346	1.6220	0.7480	0.4016	0.2480	0.3150	5/16-24UNF	7120	4650	1.76							
SB209-28	1 3/4											85	41.2	19	10.2	6.3	8	M8X1	
SB209																			
SB210-31	1 15/16	50	3.5433	1.7126	0.7874	0.4291	0.2598	0.3543	5/16-24UNF	7884	5210	1.92							
SB210												90	43.5	20	10.9	6.6	9	M8X1	
SB210-32	2																		

* Add suffix "G" for regreasable bearing
Prefix "C" with cylindrical outside diameter