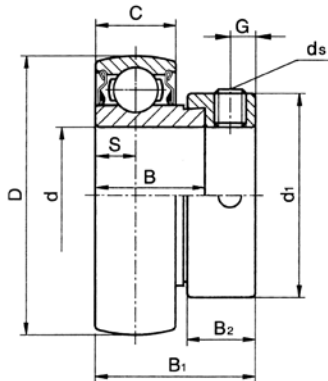
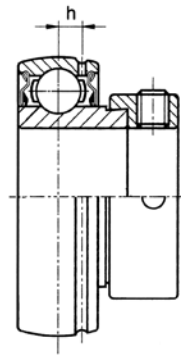


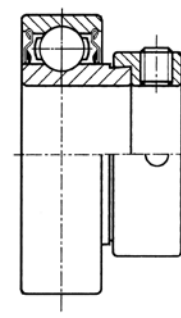
Eccentric Locking Collar • Narrow Inner Ring



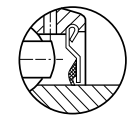
SA2
Spherical OD



SA2 G
Spherical OD



CSA2
Cylindrical OD



K Type Seal

Bearing No.	Bore Diameter d		Dimensions (in./mm)										Load Ratings lbs		Weight lbs
	in.	mm	D	B1	B	C	S	d1	B2	h	G	ds	Dynamic Cr	Static Cor	
SA201-08	1/2	15	1.5748	1.1260	0.7520	0.5118	0.2559	1.1260	0.5315	0.1339	0.1969	1/4 - 28UNF	2151	1056	0.31
SA202	5/8	17	40	28.6	19.1	13	6.5	28.6	13.5	3.4	5.0	M6 X 0.75			0.24
SA202-10	3/4	17													0.29
SA203	1	17												0.22	
SA204-12	3/4	20	1.8504	1.2205	0.8465	0.5906	0.2953	1.3110	0.5315	0.1575	0.1969	1/4 - 28UNF	2886	1650	0.35
SA204	1	20	47	31.0	21.5	15	7.5	33.3	13.5	4.0	5.0	M6 X 0.75			0.33
SA205-14	7/8	25	2.0472	1.2205	0.8465	0.5906	0.2953	1.5000	0.5315	0.1654	0.1969	1/4 - 28UNF	3150	1771	0.46
SA205-15	1 1/16	25	52	31.0	21.5	15	7.5	38.1	13.5	4.2	5.0	M6 X 0.75			0.42
SA205	1	25													0.40
SA205-16	1 1/8	25													0.40
SA206-17	1 1/16	30	2.4409	1.4055	0.9370	0.7087	0.3543	1.7520	0.6260	0.1969	0.2362	5/16 - 24UNF	4375	2542	0.75
SA206-18	1 1/8	30	62	35.7	23.8	18	9.0	44.5	15.9	5.0	6.0	M8 X 1			0.71
SA206	1 3/16	30													0.66
SA206-19	1 1/4	30													0.66
SA206-20	1 1/2	30											0.64		
SA207-20	1 1/4	35	2.8346	1.5313	1.0000	0.7490	0.3740	2.1890	0.6890	0.2244	0.2559	5/16 - 24UNF	5770	3440	1.21
SA207-21	1 3/16	35	72	38.9	25.4	19	9.5	55.6	17.5	5.7	6.5	M8 X 1			1.17
SA207-22	1 1/2	35													1.10
SA207	1 7/8	35													1.10
SA207-23	2	35											1.04		
SA208-24	1 1/2	40	3.1496	1.7205	1.1890	0.8661	0.4331	2.3740	0.7205	0.2362	0.2559	5/16 - 24UNF	6636	4078	1.48
SA208-25	1 5/8	40	80	43.7	30.2	22	11.0	60.3	18.3	6.0	6.5	M8 X 1			1.43
SA208	2	40													1.39
SA209-26	1 5/8	45	3.3465	1.7205	1.1890	0.8661	0.4331	2.5000	0.7205	0.2480	0.2559	5/16 - 24UNF	7120	4650	1.63
SA209-27	1 7/8	45	85	43.7	30.2	22	11.0	63.5	18.3	6.3	6.5	M8 X 1			1.59
SA209-28	2	45													1.48
SA209	2 1/8	45													1.46
SA210-30	1 7/8	50	3.5433	1.7205	1.1890	0.8661	0.4331	2.752	0.7205	0.2598	0.2559	5/16 - 24UNF	7884	5210	1.90
SA210-31	2	50	90	43.7	30.2	22	11.0	69.9	18.3	6.6	6.5	M8 X 1			1.83
SA210	2 1/8	50													1.76
SA210-32	2 1/2	50													1.74
SA211-32	2	55	3.9370	1.9055	1.2795	0.9449	0.4721	3.000	0.8150	0.2756	0.3150	5/8 - 24UNF	9752	6569	2.09
SA211-34	2 1/8	55	100	48.4	32.5	24	12.0	76.2	20.7	7.0	8.0	M10 X 1.25			1.90
SA211	2 3/8	55													1.70
SA211-35	2 7/8	55													1.79

* Add suffix "G" for regreasable bearing
Prefix "C" with cylindrical outside diameter