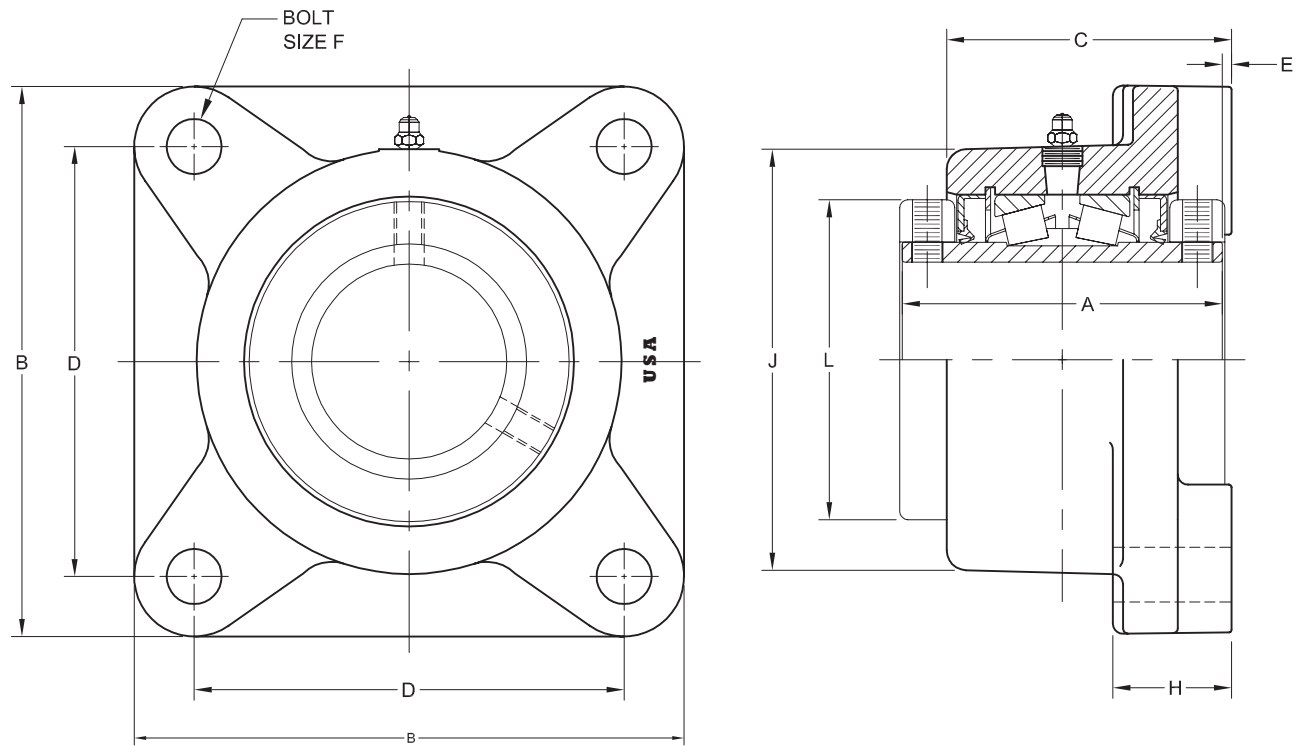


TYPE E 4-BOLT FLANGE

SHAFT SIZE	PART #	DIMENSIONS (INCHES)									WEIGHT LBS.
		A	B	C	D	E	F	H	J	L	
1 3/16 1 1/4	19311103 19311104	2 3/4	3 3/4	2 11/32	2 7/8	1/16	3/8	1	2 15/16	2 1/4	4.5
1 3/8 1 7/16 35mm	19311106 19311107 19311035	3	4 5/8	2 19/32	3 1/2	1/16	1/2	1 1/16	3 7/8	2 3/4	6.7
1 1/2 1 5/8 1 11/16 40mm	19311108 19311110 19311111 19311040	3 3/8	5 3/8	2 31/32	4 1/8	1/8	1/2	1 3/16	4 1/4	3 1/8	10
1 3/4 1 7/8 1 15/16 2 45mm 50mm	19311112 19311114 19311115 19311200 19311045 19311050	3 1/2	5 5/8	3 3/32	4 3/8	1/8	1/2	1 3/16	4 1/2	3 3/8	12
2 3/16 55mm	19311203 19311055	3 3/4	6 1/4	3 9/32	4 7/8	1/8	5/8	1 3/8	4 7/8	3 3/4	16
2 1/4 2 7/16 2 1/2 60mm 65mm	19311204 19311207 19311208 19311060 19311065	4	6 7/8	3 9/16	5 3/8	3/16	5/8	1 1/2	5 3/4	4	21

TYPE E 4-BOLT FLANGE

TYPE E



TYPE E 4-BOLT FLANGE CONTINUED

SHAFT SIZE	PART #	DIMENSIONS (INCHES)									WEIGHT LBS.
		A	B	C	D	E	F	H	J	L	
2 ¹¹ / ₁₆	19311211	4 ¹ / ₂	7 ³ / ₄	3 ¹⁵ / ₁₆	6	³ / ₁₆	³ / ₄	1 ⁵ / ₈	6 ¹ / ₂	4 ¹¹ / ₁₆	28
2 ³ / ₄	19311212										
2 ¹⁵ / ₁₆	19311215										
3	19311300										
70mm	19311070										
75mm	19311075										
3 ³ / ₁₆	19311303	5	9 ¹ / ₄	4 ¹ / ₂	7	¹ / ₄	³ / ₄	1 ⁷ / ₈	7 ⁵ / ₈	5 ⁵ / ₁₆	51
3 ¹ / ₄	19311304										
3 ⁷ / ₁₆	19311307										
3 ¹ / ₂	19311308										
80mm	19311080										
85mm	19311085										
90mm	19311090										
3 ¹⁵ / ₁₆	19311315	6 ¹ / ₄	10 ¹ / ₄	5 ⁵ / ₈	7 ³ / ₄	¹ / ₄	⁷ / ₈	2 ¹ / ₈	8 ⁷ / ₁₆	5 ³ / ₄	74
4	19311400										
100mm	19311100										
4 ⁷ / ₁₆	19311407	6 ³ / ₄	10 ⁷ / ₈	5 ¹⁵ / ₁₆	8 ³ / ₄	¹¹ / ₃₂	⁷ / ₈	2 ⁷ / ₁₆	9 ¹ / ₈	6 ¹ / ₄	96
4 ¹ / ₂	19311408										
110mm	19311110M										
115mm	19311115M										

TYPE E 4-BOLT FLANGE

TYPE E

