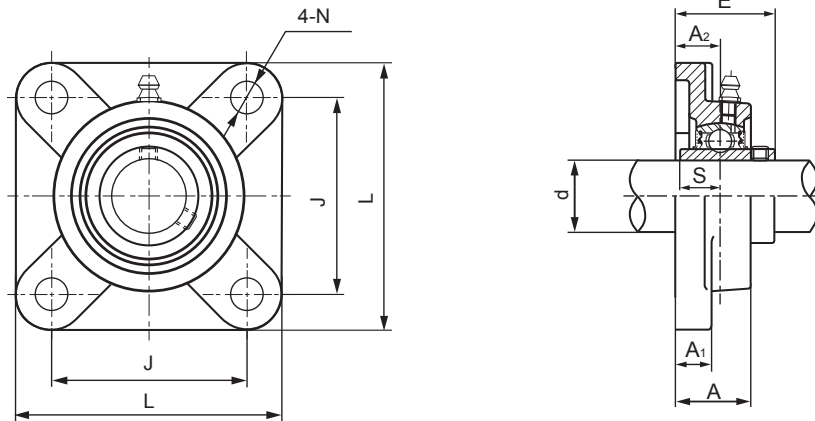


# 4-BOLT FLANGE UNITS NORMAL DUTY



Unit No.	Shaft Diameter		Dimensions (in./mm)								Bolt Used (in./mm)	Bearing No.	Housing No.	Weight lbs
	in.	mm	L	J	A2	A1	A	E	N	S				
UCF201-08 UCF202 UCF202-10 UCF203	1/2 5/8	15 17	2.9921 76	2.1260 54	0.6693 17	0.5118 13	0.9843 25	1.2953 32.9	0.4055 10.3	0.4528 11.5	5/8 10	UC201-08 UC202 UC202-10 UC203	F203	.90
UCF204-08 UCF204-10 UCF204-12 UCF204	1/2 5/8 3/4	20	3.3858 86	2.5197 64	0.5906 15	0.4724 12	1.0039 25.5	1.3110 33.3	0.4528 11.5	0.5000 12.7	7/16 11	UC204-08 UC204-10 UC204-12 UC204	F204	1.25
UCF205-14 UCF205-15 UCF205 UCF205-16	7/8 15/16 1	25	3.7402 95	2.7559 70	0.6299 16	0.5118 13	1.0630 27	1.4094 35.8	0.4528 11.5	0.5630 14.3	7/16 11	UC205-14 UC205-15 UC205 UC205-16	F205	1.70
UCF206-17 UCF206-18 UCF206 UCF206-19 UCF206-20	1 1/16 1 1/8 1 3/16 1 1/4	30	4.2520 108	3.2677 83	0.7087 18	0.5630 14.3	1.2205 31	1.5827 40.2	0.4528 11.5	0.6260 15.9	7/16 11	UC206-17 UC206-18 UC206 UC206-19 UC206-20	F206	2.40
UCF207-20 UCF207-21 UCF207-22 UCF207 UCF207-23	1 1/4 1 3/8 1 3/8 1 7/16	35	4.6063 117	3.6220 92	0.7480 19	0.6102 15.5	1.3386 34	1.7480 44.4	0.5118 13	0.6890 17.5	1/2 12	UC207-20 UC207-21 UC207-22 UC207 UC207-23	F207	3.30
UCF208-24 UCF208-25 UCF208	1 1/2 1 5/8	40	5.1181 130	4.0157 102	0.8268 21	0.6102 15.5	1.4173 36	2.0157 51.2	0.5512 14	0.7480 19	1/2 12	UC208-24 UC208-25 UC208	F208	3.90
UCF209-26 UCF209-27 UCF209-28 UCF209	1 5/8 1 11/16 1 3/4	45	5.3937 137	4.1339 105	0.8661 22	0.6890 17.5	1.4961 38	2.0551 52.2	0.6299 16	0.7480 19	5/8 14	UC209-26 UC209-27 UC209-28 UC209	F209	4.75
UCF210-30 UCF210-31 UCF210 UCF210-32	1 7/8 1 15/16 2	50	5.6299 143	4.3701 111	0.8661 22	0.6890 17.5	1.5748 40	2.1496 54.6	0.6299 16	0.7480 19	5/8 16	UC210-30 UC210-31 UC210 UC210-32	F210	5.20
UCF211-32 UCF211-34 UCF211 UCF211-35	2 2 1/8 2 3/16	55	6.3780 162	5.1181 130	0.9843 25	0.7677 19.5	1.6929 43	2.2992 58.4	0.6693 17	0.8740 22.2	5/8 16	UC211-32 UC211-34 UC211 UC211-35	F211	7.60
UCF212-36 UCF212 UCF212-38 UCF212-39	2 1/4 2 3/8 2 7/16	60	6.8898 175	5.6299 143	1.1417 29	0.7677 19.5	1.8898 48	2.7047 68.7	0.6693 17	1.0000 25.4	5/8 16	UC212-36 UC212 UC212-38 UC212-39	F212	9.30
UCF213-40 UCF213	2 1/2	65	7.3622 187	5.8661 149	1.1811 30	0.9055 23	1.9685 50	2.7441 69.7	0.6693 17	1.0000 25.4	5/8 16	UC213-40 UC213	F213	11.70
UCF214-44 UCF214	2 3/4	70	7.5984 193	5.9843 152	1.2205 31	0.9055 23	2.1260 54	2.9685 75.4	0.7480 19	1.1890 30.2	5/8 16	UC214-44 UC214	F214	12.75
UCF215 UCF215-47 UCF215-48	2 15/16 3	75	7.8740 200	6.2598 159	1.3386 34	0.9055 23	2.2047 56	3.0906 78.5	0.7480 19	1.3110 33.3	5/8 16	UC215 UC215-47 UC215-48	F215	13.30